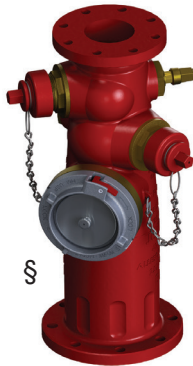


JONES®

a MUELLER brand

3-WAY MONITOR FIRE HYDRANT

Ductile Iron

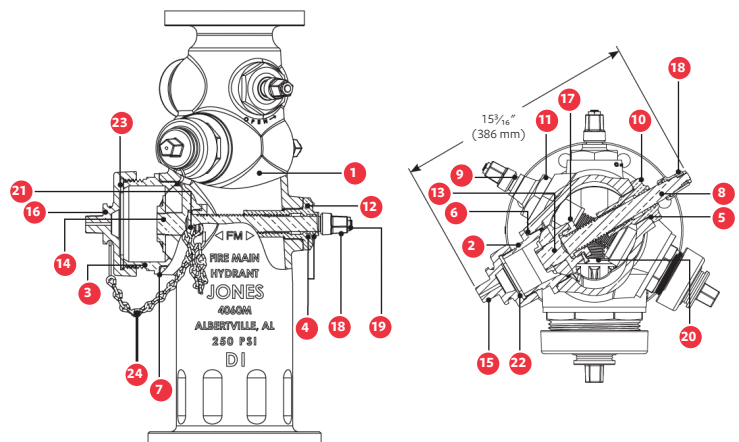


PRODUCT FEATURES

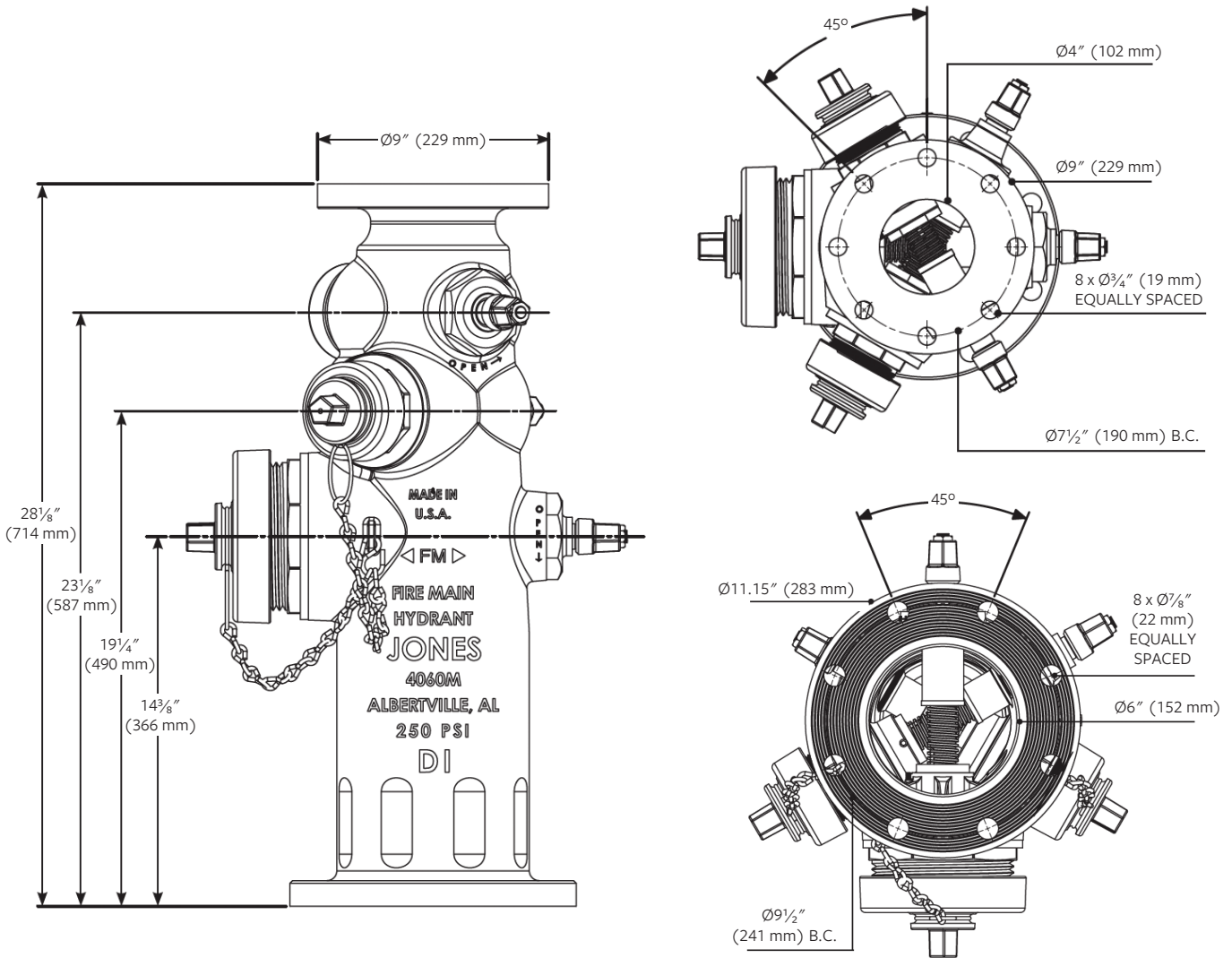
- Integral Monitor Mounting Flange
- Meets or exceeds ANSI/AWWA C503
- UL listed and FM approved
- Individual Valve operation
- Limited number of internal parts
- Nozzle Threads conform to NFPA 1963, NH/NST (other thread forms available to order)
- Removable Nozzle design
- Available in a variety of bolt hole patterns
- Low-Zinc Silicon Bronze Stems
- Heavy-duty Disc Holder
- O-ring Stem Seals
- Epoxy-coated Interior meets
- AWWA C550 and NSF 61
- Product rated up to 250psig/17barg, hydrostatically tested at 500psig/34barg
- 10-year limited warranty
- Shown with optional integral 5" Storz Pumper Nozzle – 4" or 4½" Nozzle with Threaded Cap is standard
- Contemporary design features a contoured head and fluted spool
- Cast, manufactured, and assembled in Albertville, AL, U.S.A.

PARTS LIST

ID	PART NAME	MATERIAL	PART NO.
1	Hydrant Body	Ductile Iron ASTM A536	34-0258
2	Nozzle Inserts - 2½"	Brass ASTM B584	34-0113
3	Nozzle Inserts - 4½"	Brass ASTM B584	34-0117
4	O-Ring	Rubber ASTM D2000	194572
5	O-Ring	Rubber ASTM D2000	15-0192
6	Hose Nozzle O-Ring	Rubber ASTM D2000	15-0242
7	Pumper Nozzle O-Ring	Rubber ASTM D2000	15-0243
8	Stem - Short	Silicon Bronze ASTM B584	26-0089
9	Stem - Long	Silicon Bronze ASTM B584	26-0093
10	Insert 2½" Short Length	Brass ASTM B584	34-0055
11	Insert 2½" Medium Length	Brass ASTM B584	34-0057
12	Insert 4½" Long Length	Brass ASTM B584	34-0059
13	Assy - Holder & Disc 2½"	Brass ASTM B584	27-0500
14	Assy - Holder & Disc 4" & 4½"	Brass ASTM B584	27-0501
15	Cap - 2½"	Cast Iron ASTM A126	23-0168
16	Cap - 4½"	Cast Iron ASTM A126	23-0176
17	Locknut - Stem	Brass ASTM B584	16-0016
18	Nut - Operating	Brass ASTM B584	21-0004
19	Nut - Stem	Brass ASTM B62	16-0254D
20	Set Screw	Stainless Steel	20-0026
21	S-Hook	Steel/Zinc Plated	147738
22	Gasket 2½"	Rubber ASTM D2000	290272
23	Gasket 4½"	Rubber ASTM D2000	192345
24	Chain	Steel/Zinc Plated	142987



MUELLER



For more information about us, or to view our full line of products, please visit www.mueller-international.com or call International Customer Service at:

UK: +44.1438.487410 Dubai: +971.4.214.6640 Singapore: +65.6816.3088 USA: +1.800.423.1323 | International@muellerwp.com

Mueller refers to one or more of Mueller Water Products, Inc., a Delaware corporation ("MWP"), and its subsidiaries. MWP and each of its subsidiaries are legally separate and independent entities when providing products and services. MWP does not provide products or services to third parties. MWP and each of its subsidiaries are liable only for their own acts and omissions and not those of each other. MWP brands include Mueller®, Echologics®, Hydro Gate®, Hydro-Guard®, Jones®, Krausz®, MiNet®, Milliken®, Pratt®, Pratt Industrial®, Singer®, and U.S. Pipe Valve & Hydrant. Please see muellerwp.com/brands to learn more.

© 2020 Mueller Water Products, Inc. All Rights Reserved. The trademarks, logos and service marks displayed in this document are the property of Mueller Water Products, Inc., its affiliates or other third parties. Products above marked with a section symbol (§) are subject to patents or patent applications. For details visit www.mwppat.com.

